

User's Guide

P R X 8 1 2 N

P R X 8 1 5 N

P R X 5 1 5 N

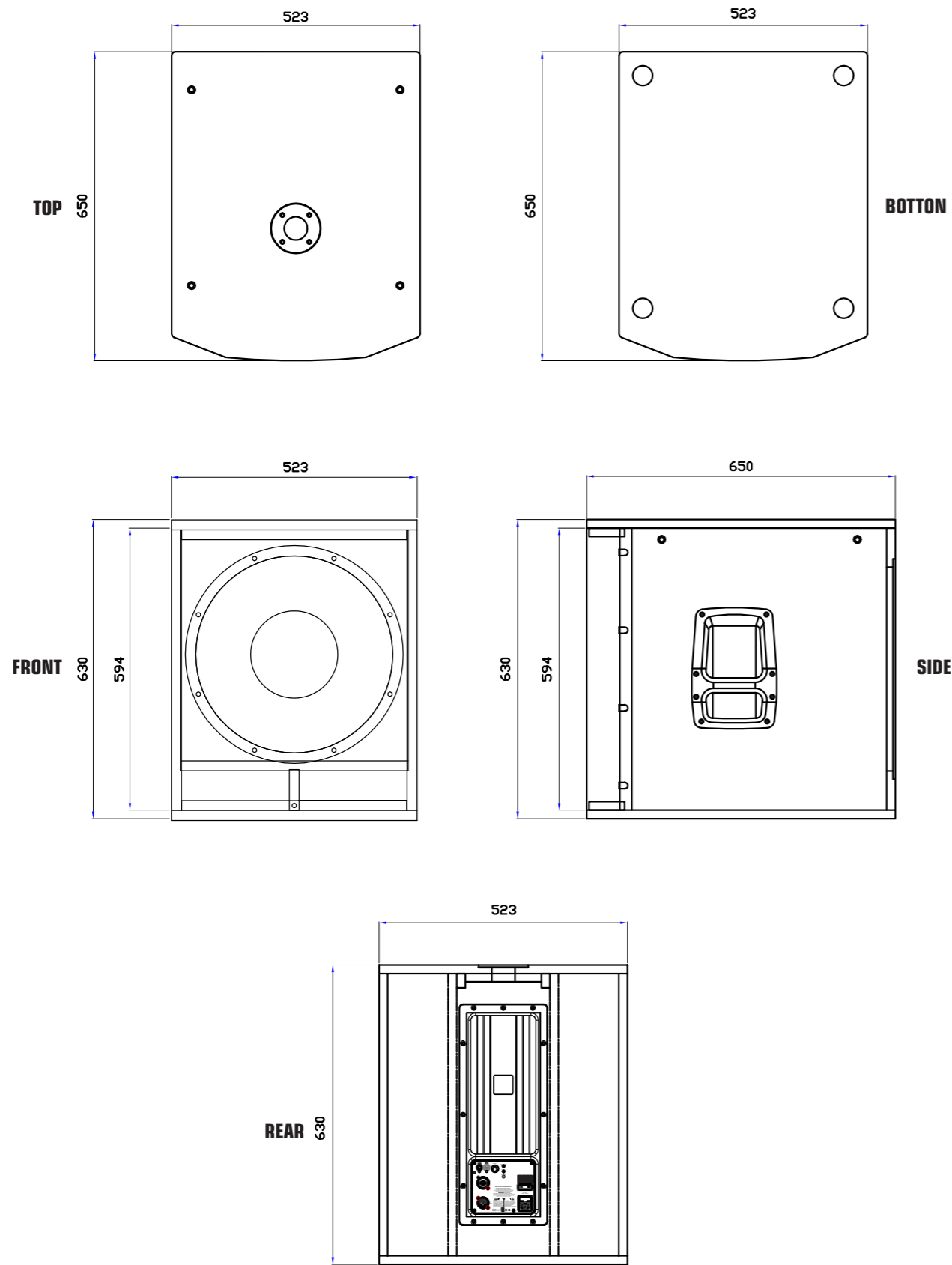
P R X 8 1 8 N



Vibrational Acoustic

Dimensions

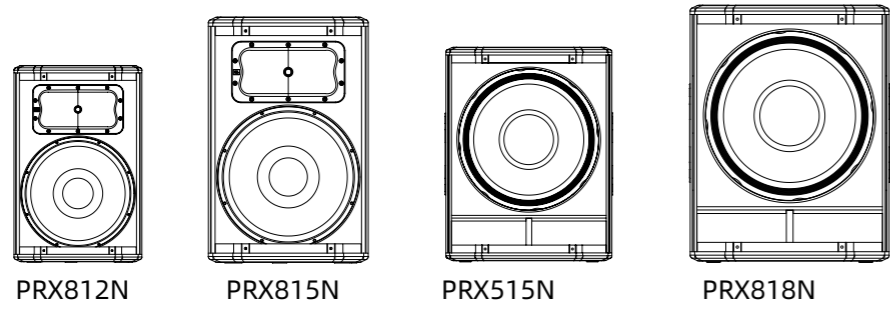
PRX818N



IMPORTANT SAFETY INSTRUCTIONS

1. Read these instructions.
2. Keep these instructions.
3. Heed all warnings.
4. Follow all instructions.
5. Do not use this apparatus near water.
6. Clean only with dry cloth.
7. Do not block any ventilation openings. Install in accordance with the manufacturer's instructions.
8. Do not install near any heat sources such as radiators, heat registers, stoves, or other apparatus (including amplifiers) that produce heat.
9. Do not defeat the safety purpose of the polarized or grounding-type plug. A polarized plug has two blades with one wider than the other. A grounding-type plug has two blades and a third grounding prong. The wide blade or the third prong is provided for your safety. If the provided plug does not fit into your outlet, consult an electrician for replacement of the obsolete outlet.
10. Protect the power cord from being walked on or pinched, particularly at plugs, convenience receptacles, and the point where they exit from the apparatus.
11. Only use attachments/accessories specified by the manufacturer.
12. Use only with the cart, stand, tripod, bracket, or table specified by the manufacturer, or sold with the apparatus. When a cart is used, use caution when moving the cart/apparatus combination to avoid injury from tip-over.
13. Unplug this apparatus during lightning storms or when unused for long periods of time.
14. Refer all servicing to qualified service personnel. Servicing is required when the apparatus has been damaged in any way, such as power supply cord or plug is damaged, liquid has been spilled or objects have fallen into the apparatus, the apparatus has been exposed to rain or moisture, does not operate normally, or has been dropped.
15. If Service Instructions are included in the Owner's Manual: "CAUTION - THESE SERVICING INSTRUCTIONS ARE FOR USE BY QUALIFIED SERVICE PERSONNEL ONLY. TO REDUCE THE RISK OF ELECTRIC SHOCK DO NOT PERFORM ANY SERVICING OTHER THAN THAT CONTAINED IN THE OPERATING INSTRUCTIONS UNLESS YOU ARE QUALIFIED TO DO SO."
16. To completely disconnect this apparatus from the AC mains, disconnect the power supply cord plug from the AC receptacle.
17. "WARNING - TO REDUCE THE RISK OF FIRE OR ELECTRIC SHOCK, DO NOT EXPOSE THIS APPARATUS TO RAIN OR MOISTURE."
18. Do not expose this equipment to dripping or splashing and ensure that no objects filled with liquids, such as vases, are placed on the equipment.
19. The main plug of the power supply cord shall remain readily operable.





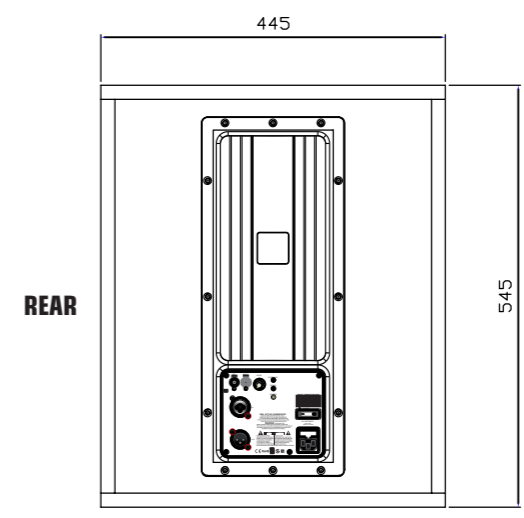
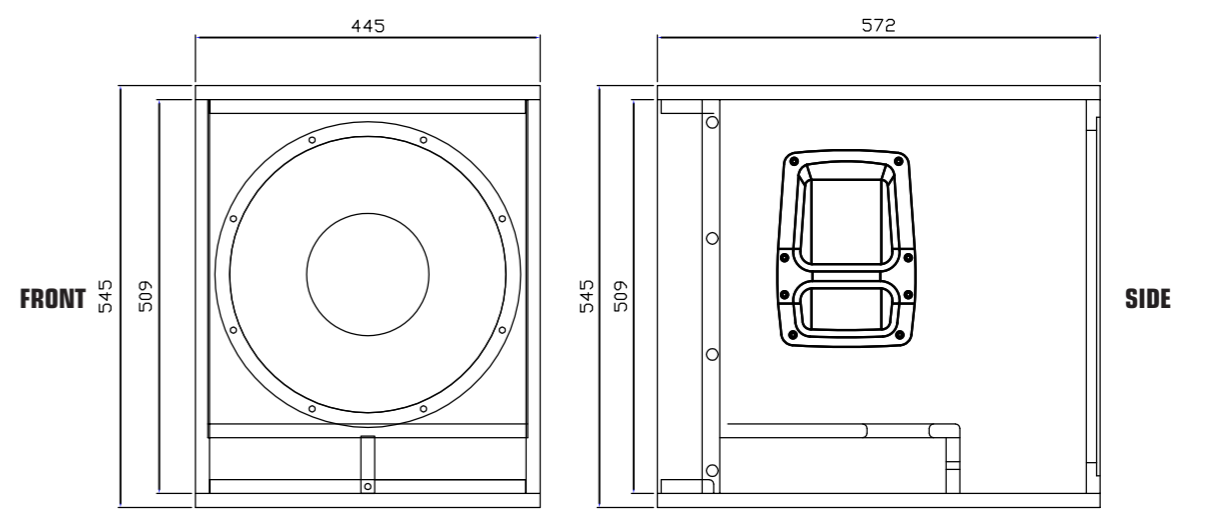
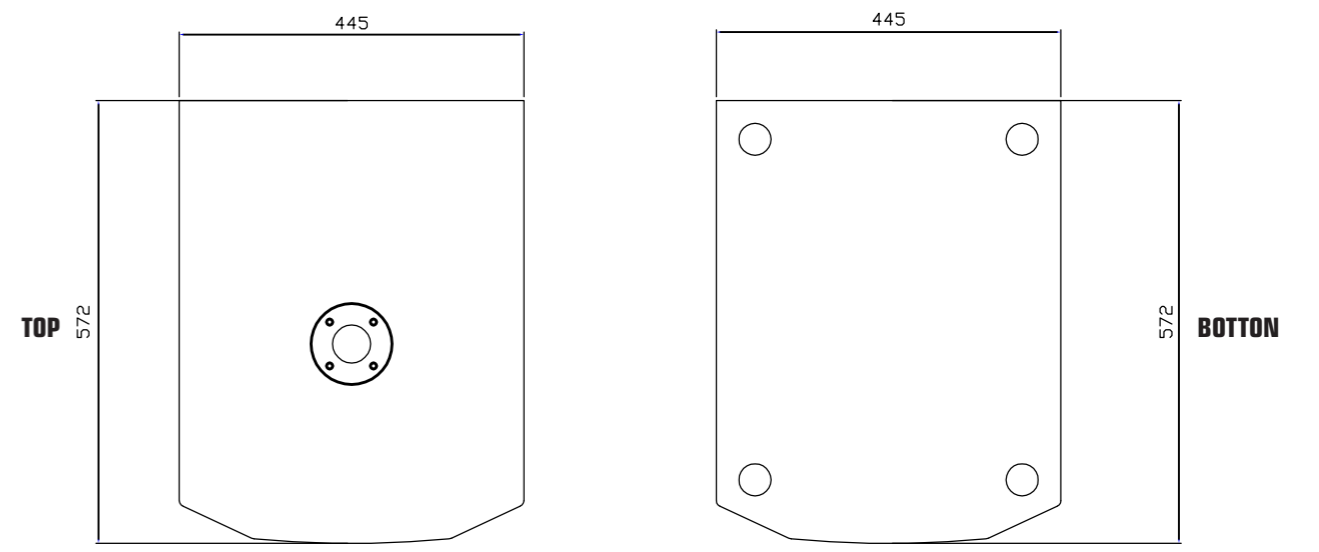
PRX812N PRX815N PRX515N PRX818N

Full-Ragne Models

	PRX812N	PRX815N	PRX515N	PRX818N
SYSTEM SPEC				
Configuration:	Multipurpose 12 inch 2-way	Multipurpose 15 inch 2-way	15 inch cone transducer	18 inch cone transducer
Max SPL Output:	131 dB	135 dB	131 dB	135 dB
Freq Range (-10 dB):	50 Hz to 20 kHz	44 Hz to 20 kHz	33 Hz	33 Hz
Freq Response(-6 dB):	53 Hz - 18 kHz	47 Hz - 18 kHz	38 Hz	38 Hz
Input Connectors:	1xBalanced XLR/¼" input	1xBalanced XLR/¼" input	1xBalanced XLR/¼" input	1xBalanced XLR/¼" input
Input Impedance:	20K Ohms (balanced), 10K Ohms (unbalanced)	20K Ohms (balanced), 10K Ohms (unbalanced)	20K Ohms (balanced), 10K Ohms (unbalanced)	20K Ohms (balanced), 10K Ohms (unbalanced)
Signal Indicators:	EQ-BOOST, INPUT MIC-BOOST, OVERLOAD, SIGNAL, POWER.	EQ-BOOST, INPUT MIC-BOOST, OVERLOAD, SIGNAL, POWER.	MODE-BOOST, REV-POLARITY, OVERLOAD, SIGNAL, POWER.	MODE-BOOST, REV-POLARITY, OVERLOAD, SIGNAL, POWER.
AMPLIFIER				
Design:	Class-D	Class-D	Class-D	Class-D
Power Rating:	1000W (2 x 500W) @40HM	1000W (2 x 500W) @40HM	1000W (2 x 500W) @40HM	1000W (2 x 500W) @40HM
Amplifier Protection:	Thermal limiting, output overcurrent, overtemperature muting			
SPEAKER				
LF:	65 core 156 magnetic	75 core 170 magnetic	100 core 220 magnetic	100 core 220 magnetic
MF:	n/a	n/a	n/a	n/a
HF:	34 core 100 magnetic	44 core 100 magnetic	n/a	n/a
Coverage Pattern:	90° x 50° nominal	90° x 50° nominal	90° x 50° nominal	90° x 50° nominal
Enclosure:	Asymmetrical, 18 mm, plywood	Asymmetrical, 18 mm, plywood	Trapezoidal, 18 mm, plywood	Trapezoidal, 18 mm, plywood
Dimensions (mm): (H x W x D)	599 x 385 x 341	701 x 446 x 359	545 x 445 x 572	630 x 523 x 650
Net Weight:	18.35 kg	24.55kg	31.1 kg	41.5 kg

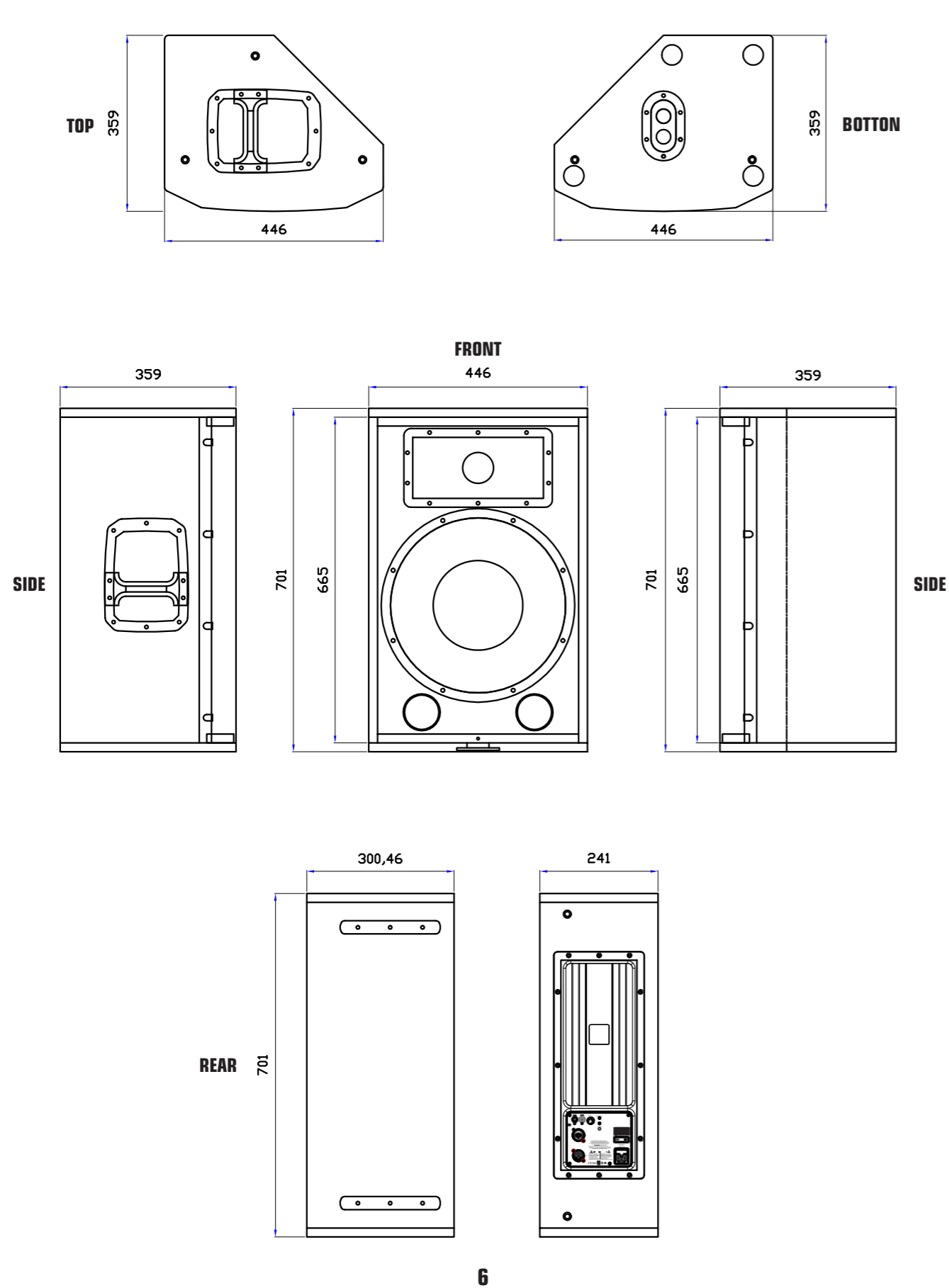
Dimensions

PRX515N



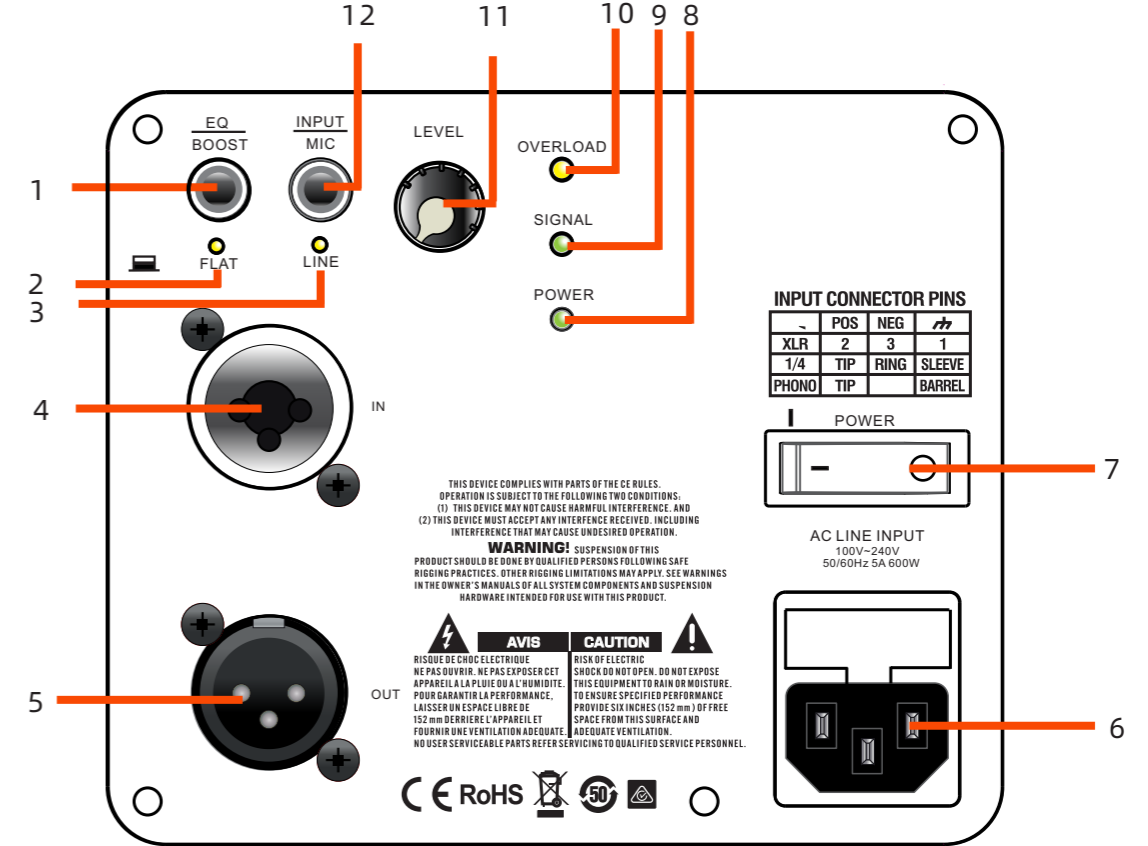
Dimensions

PRX815N



SYSTEM SET UP – FULL RANGE MODELS

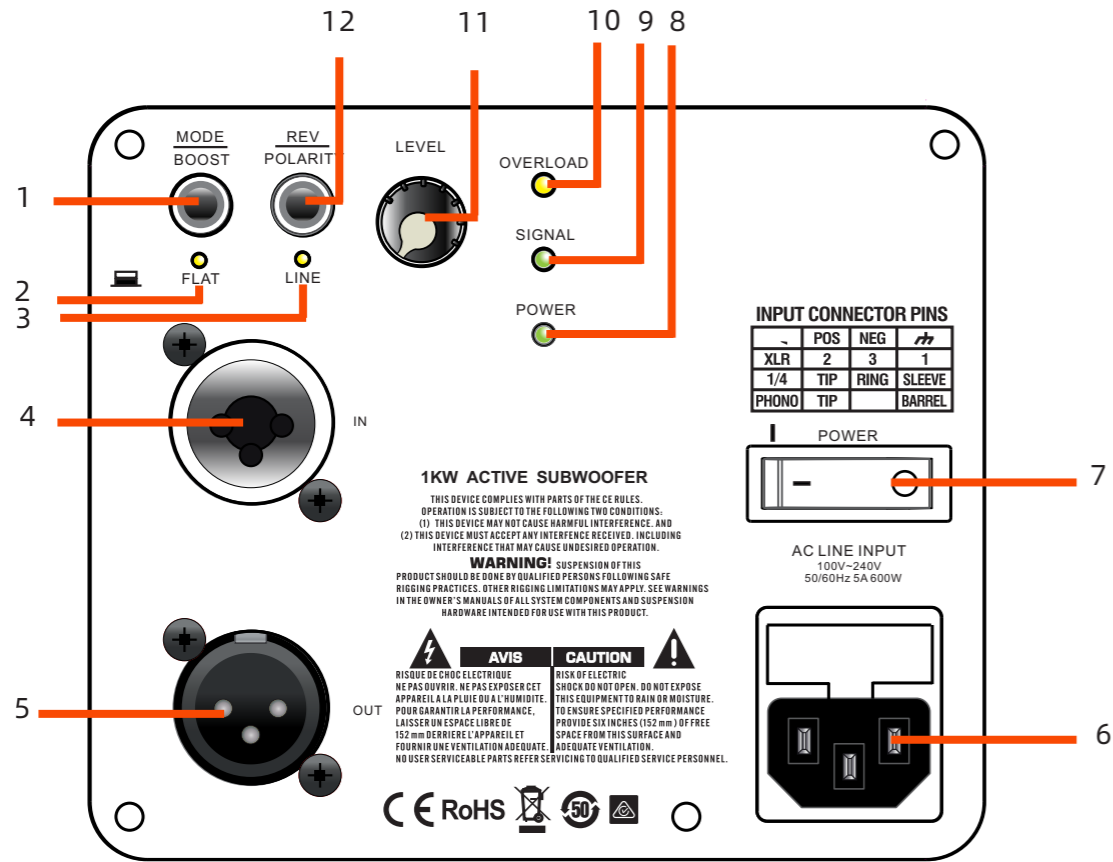
Amplifier Input Configuration for
PRX812N, PRX815N



- EQ BOOST BUTTON:** Normal and Boost - Default (light off) is NORMAL, frequency response is linear and unaltered. When light indicator is on, BOOST is selected and internal equalization is applied to enhance low frequency and high frequency response.
- EQ BOOST INDICATOR LIGHT:** There is one LED that will illuminate when EQ BOOST button press on.
- INPUT BOOST INDICATOR LIGHT:** There is one LED that will illuminate when input BOOST button press on.
- SIGNAL INPUT:** Female balanced XLR and 1/4 inch phone jack combo input connectors.
- SIGNAL OUTPUT:** Male balanced XLR output connector. This connector provides a full-range signal which can be daisy chained to another speaker.
- POWER CABLE INTERFACE**
- POWER SWITCH**
- POWER INDICATOR:** This LED illuminates when the "Power Switch" has been turned to the on position. It will illuminate BLUE when the system has power and is ready to pass audio.
- SIGNAL INDICATOR:** There is one LED that will illuminate when signal is present.
- OVERLOAD INDICATOR:** There is one LED indicator that will illuminate when input clipping occurs or peak output has been reached and the DSP limiter is acting.
- SIGNAL CONTROL KNOB:** This knob is for setting the input level. The 12 o'clock position is a good starting point for most uses. Once the full-range system has been connected the level can be varied to match and deliver the desired balance.
- INPUT BOOST BUTTON:** Press the button to change to MIC level. Light indicator will turn on while in MIC level input.

SYSTEM SET UP – SUBWOOFERS

Amplifier Input Configuration for
PRX515N, PRX818N



- 1. MODE BOOST BUTTON:** Normal and Boost - Default (light off) is NORMAL, frequency response is linear and unaltered. When light indicator is on, BOOST is selected and internal equalization is applied to enhance low frequency and high frequency response.
- 2. EQ BOOST INDICATOR LIGHT:** There is one LED that will illuminate when EQ BOOST button press on.
- 3. INPUT BOOST INDICATOR LIGHT:** There is one LED that will illuminate when input BOOST button press on.
- 4. SIGNAL INPUT:** Female balanced XLR and 1/4 inch phone jack combo input connectors.
- 5. SIGNAL OUTPUT:** Male balanced XLR output connector. This connector provides a full-range signal which can be daisy chained to another speaker.
- 6. POWER CABLE INTERFACE**
- 7. POWER SWITCH**
- 8. POWER INDICATOR:** This LED illuminates when the "Power Switch" has been turned to the on position. It will illuminate BLUE when the system has power and is ready to pass audio.
- 9. SIGNAL INDICATOR:** There is one GREEN LED that will illuminate when signal is present.
- 10. OVERLOAD INDICATOR:** There is one LED indicator that will illuminate when input clipping occurs or peak output has been reached and the DSP limiter is acting.
- 11. SIGNAL CONTROL KNOB:** This knob is for setting the input level. The 12 o'clock position is a good starting point for most uses. Once the full-range system has been connected the level can be varied to match and deliver the desired balance.
- 12. REV POLARITY BUTTON:** This push button allows you to choose between 0° (Normal) or 180° (Inverse Polarity). The correct polarity setting will produce the best blend between the subwoofer and the full-range speaker and the strongest perceived bass response at the listening position. If the bass response seems weak, try inverting the polarity.

Dimensions

PRX812N

