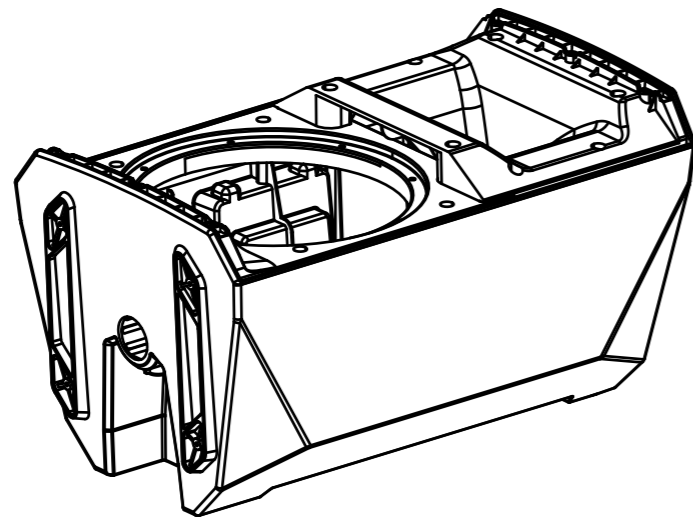
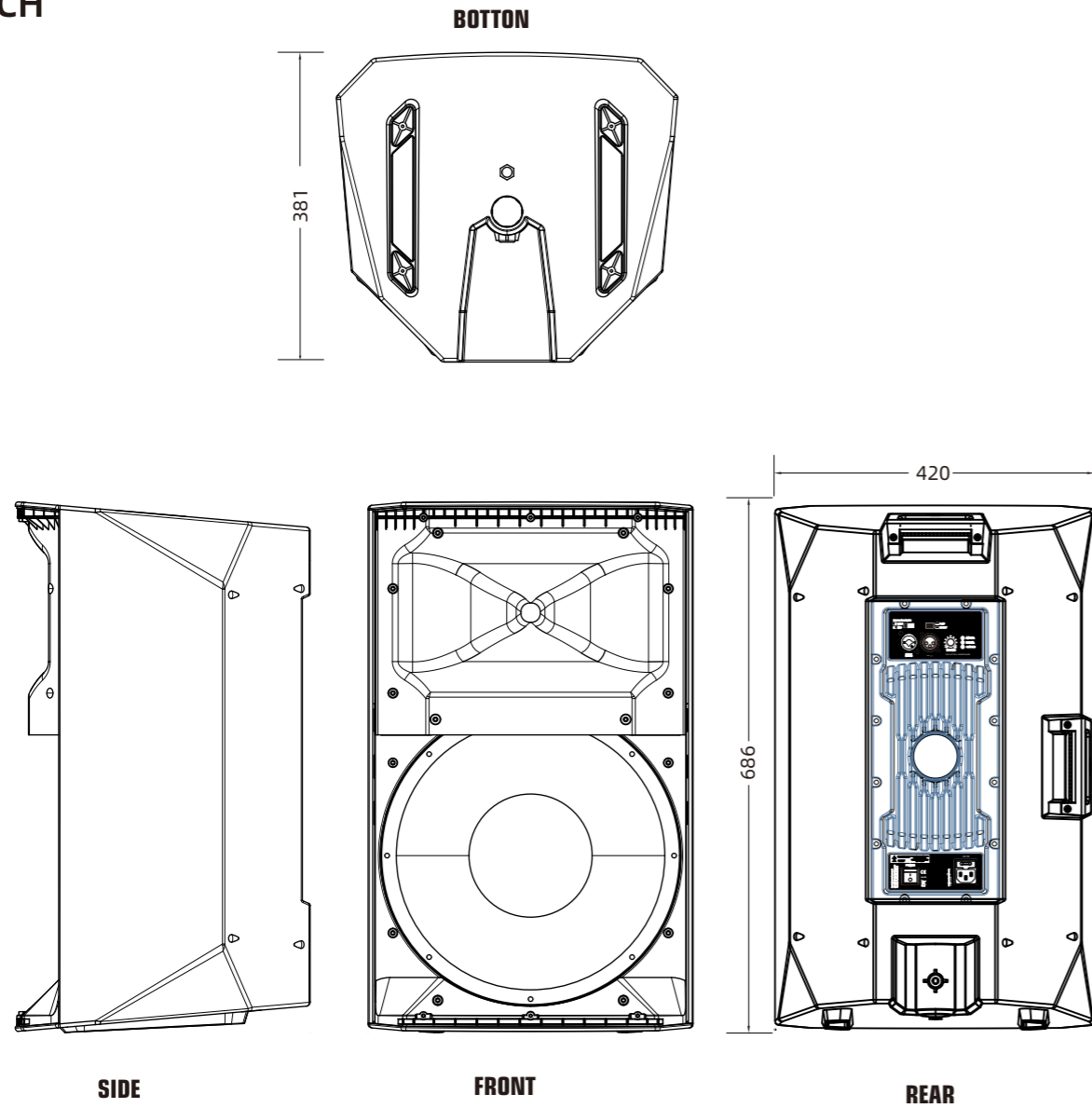
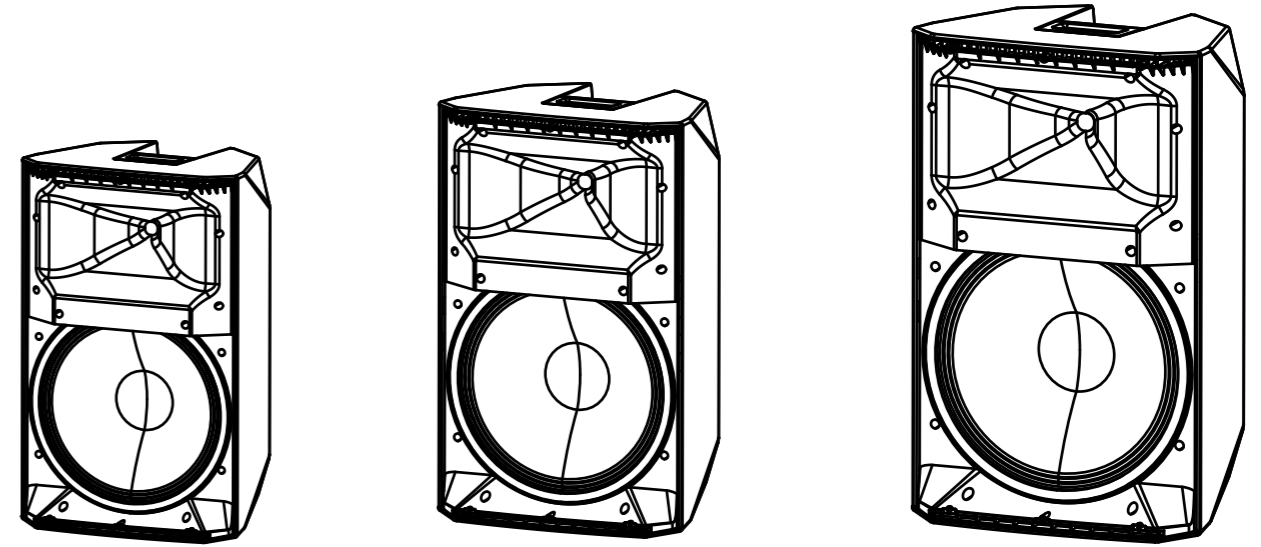


Dimensions

15 INCH



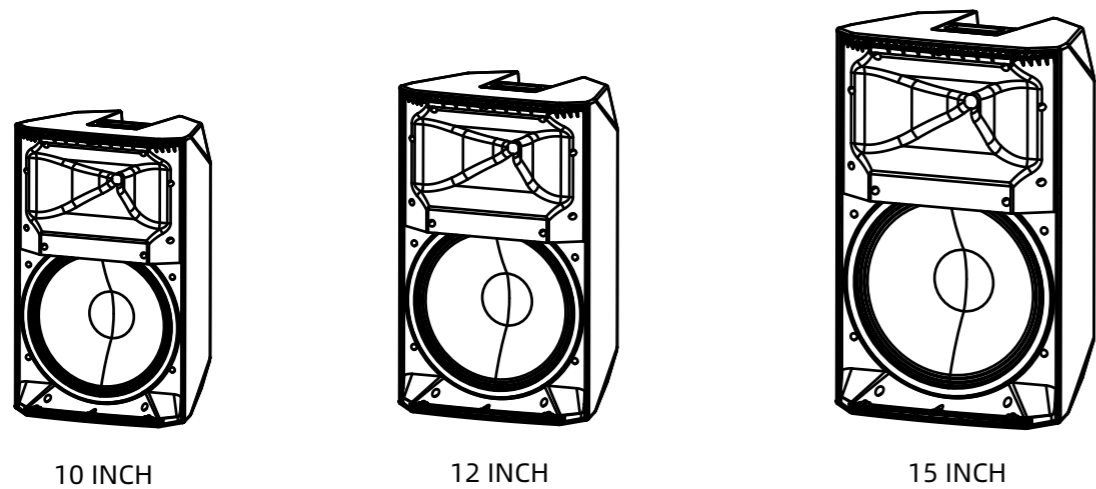
- ART910S - 90° 750 W active 10"(250 mm) 2-way loudspeaker system
- ART912S - 75° 1000 W active 12"(300 mm) 2-way loudspeaker system
- ART915S - 75° 1000 W active 15"(380 mm) 2-way loudspeaker system



IMPORTANT SAFETY INSTRUCTIONS

1. Read these instructions.
2. Keep these instructions.
3. Heed all warnings.
4. Follow all instructions.
5. Do not use this apparatus near water.
6. Clean only with dry cloth.
7. Do not block any ventilation openings. Install in accordance with the manufacturer's instructions.
8. Do not install near any heat sources such as radiators, heat registers, stoves, or other apparatus (including amplifiers) that produce heat.
9. Do not defeat the safety purpose of the polarized or grounding-type plug. A polarized plug has two blades with one wider than the other. A grounding-type plug has two blades and a third grounding prong. The wide blade or the third prong is provided for your safety. If the provided plug does not fit into your outlet, consult an electrician for replacement of the obsolete outlet.
10. Protect the power cord from being walked on or pinched, particularly at plugs, convenience receptacles, and the point where they exit from the apparatus.
11. Only use attachments/accessories specified by the manufacturer.
12. Use only with the cart, stand, tripod, bracket, or table specified by the manufacturer, or sold with the apparatus. When a cart is used, use caution when moving the cart/apparatus combination to avoid injury from tip-over.
13. Unplug this apparatus during lightning storms or when unused for long periods of time.
14. Refer all servicing to qualified service personnel. Servicing is required when the apparatus has been damaged in any way, such as power supply cord or plug is damaged, liquid has been spilled or objects have fallen into the apparatus, the apparatus has been exposed to rain or moisture, does not operate normally, or has been dropped.
15. If Service Instructions are included in the Owner's Manual: "CAUTION - THESE SERVICING INSTRUCTIONS ARE FOR USE BY QUALIFIED SERVICE PERSONNEL ONLY. TO REDUCE THE RISK OF ELECTRIC SHOCK DO NOT PERFORM ANY SERVICING OTHER THAN THAT CONTAINED IN THE OPERATING INSTRUCTIONS UNLESS YOU ARE QUALIFIED TO DO SO."
16. To completely disconnect this apparatus from the AC mains, disconnect the power supply cord plug from the AC receptacle.
17. "WARNING - TO REDUCE THE RISK OF FIRE OR ELECTRIC SHOCK, DO NOT EXPOSE THIS APPARATUS TO RAIN OR MOISTURE."
18. Do not expose this equipment to dripping or splashing and ensure that no objects filled with liquids, such as vases, are placed on the equipment.
19. The main plug of the power supply cord shall remain readily operable.





10 INCH

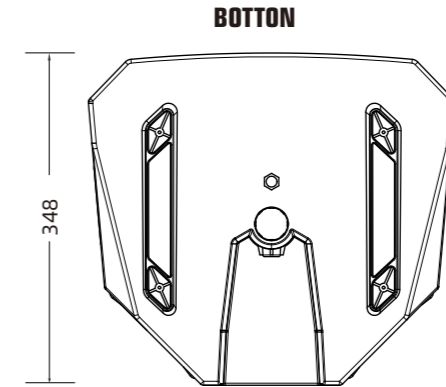
12 INCH

15 INCH

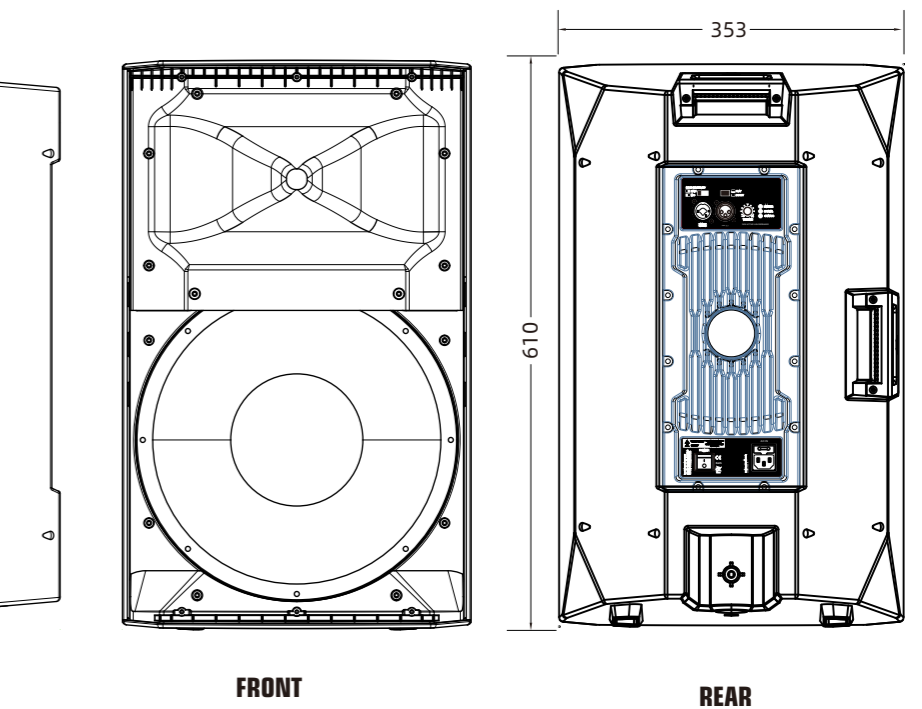
Full-Ragne Models

Dimensions

12 INCH



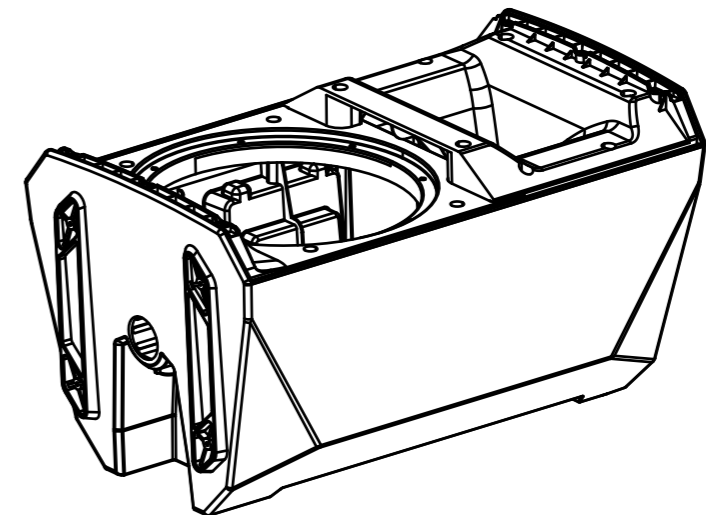
BOTTOM



SIDE

FRONT

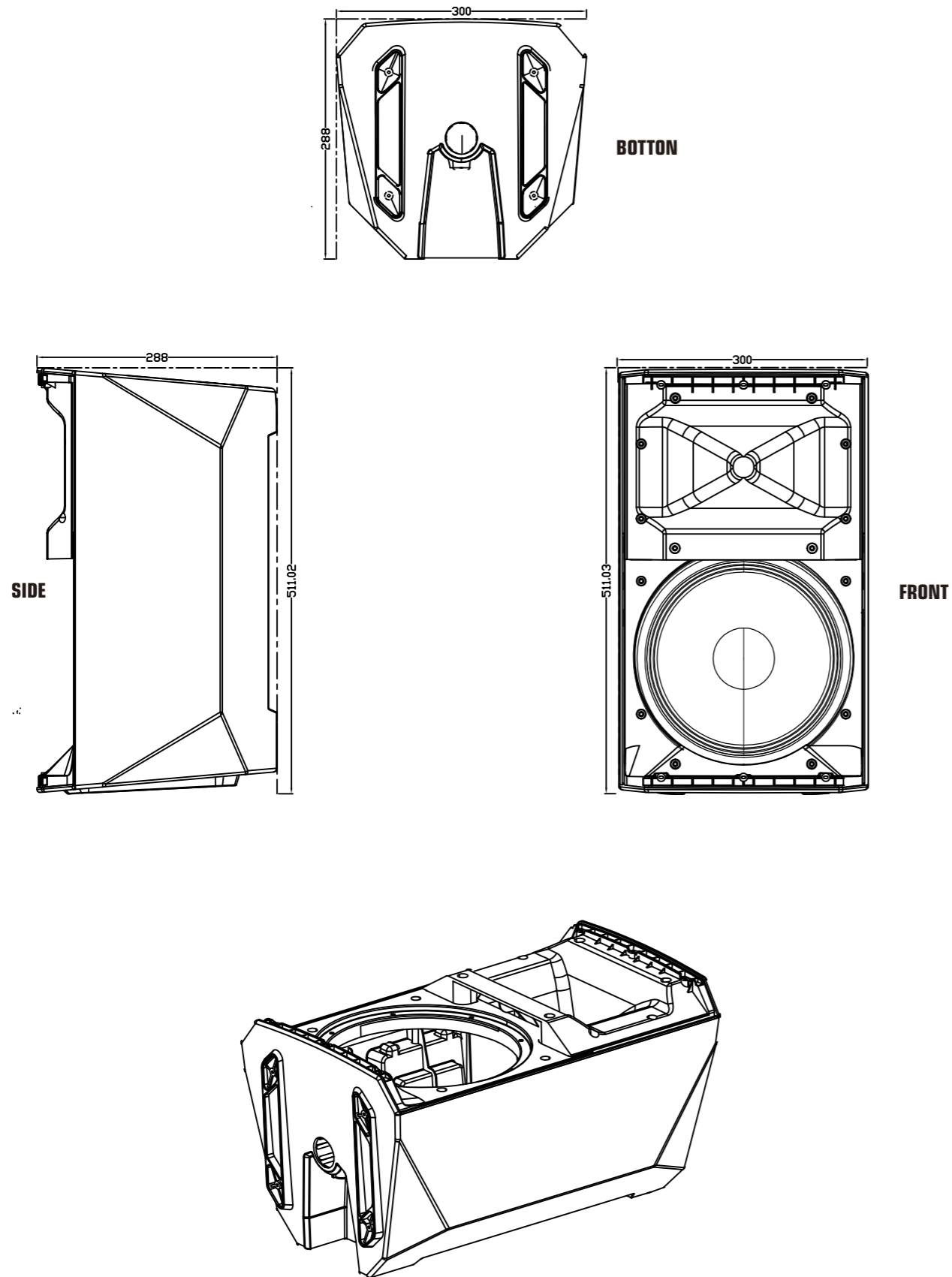
REAR



	10 INCH	12 INCH	15 INCH
SYSTEM SPEC			
Configuration:	Multipurpose 10 inch 2-way	Multipurpose 12 inch 2-way	Multipurpose 15 inch 2-way
Max SPL Output:	129 dB	131 dB	135 dB
Freq Range (-10 dB):	56 Hz to 20 kHz	50 Hz to 20 kHz	44 Hz to 20 kHz
Freq Response(-6 dB):	60 Hz - 18 kHz	53 Hz - 18 kHz	47 Hz - 18 kHz
Input Connectors:	1xBalanced XLR/¼" input	1xBalanced XLR/¼" input	1xBalanced XLR/¼" input
Input Impedance:	20K Ohms (balanced), 10K Ohms (unbalanced)	20K Ohms (balanced), 10K Ohms (unbalanced)	20K Ohms (balanced), 10K Ohms (unbalanced)
Signal Indicators:	OVERLOAD, SIGNAL, POWER.	OVERLOAD, SIGNAL, POWER.	OVERLOAD, SIGNAL, POWER.
AMPLIFIER			
Design:	Class-D	Class-D	Class-D
Power Rating:	750W (2 x 375W) @4OHM	1000W (2 x 530W) @4OHM	1000W @4OHM
Ampifier Protection:	Thermal limiting, output overcurrent, overtemperature muting		
SPEAKER			
LF:	50 core 140 magnetic	65 core 156 magnetic	75 core 170 magnetic
MF:	n/a	n/a	n/a
HF:	34 core 100 magnetic	44 core 100 magnetic	44 core 100 magnetic
Coverage Pattern:	90° x 50° nominal	90° x 50° nominal	90° x 50° nominal
Enclosure:	Plastic	Plastic	Plastic
Dimensions (mm): (H x W x D)	300x288x512	353x348x610	420x381x686
Net Weight:	10.75kg	16.22kg	21.2kg

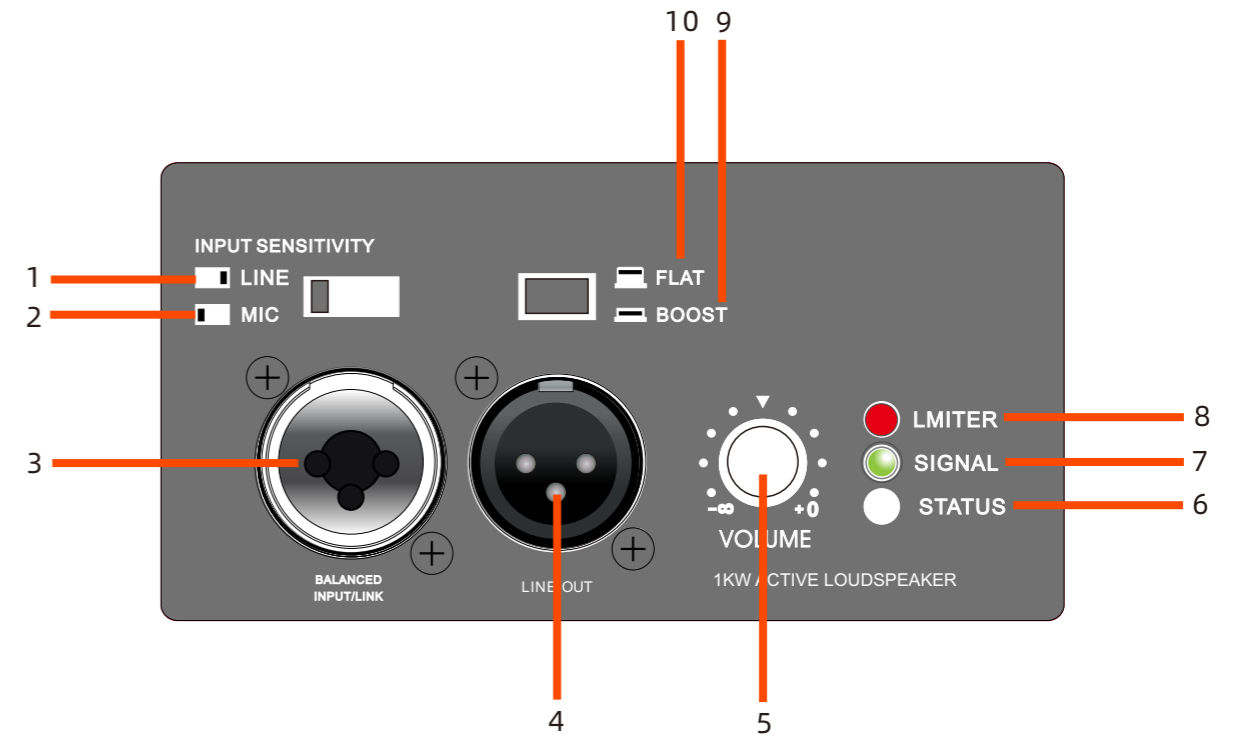
Dimensions

10 inch



SYSTEM SET UP – FULL RANGE MODELS

Amplifier Input Configuration for

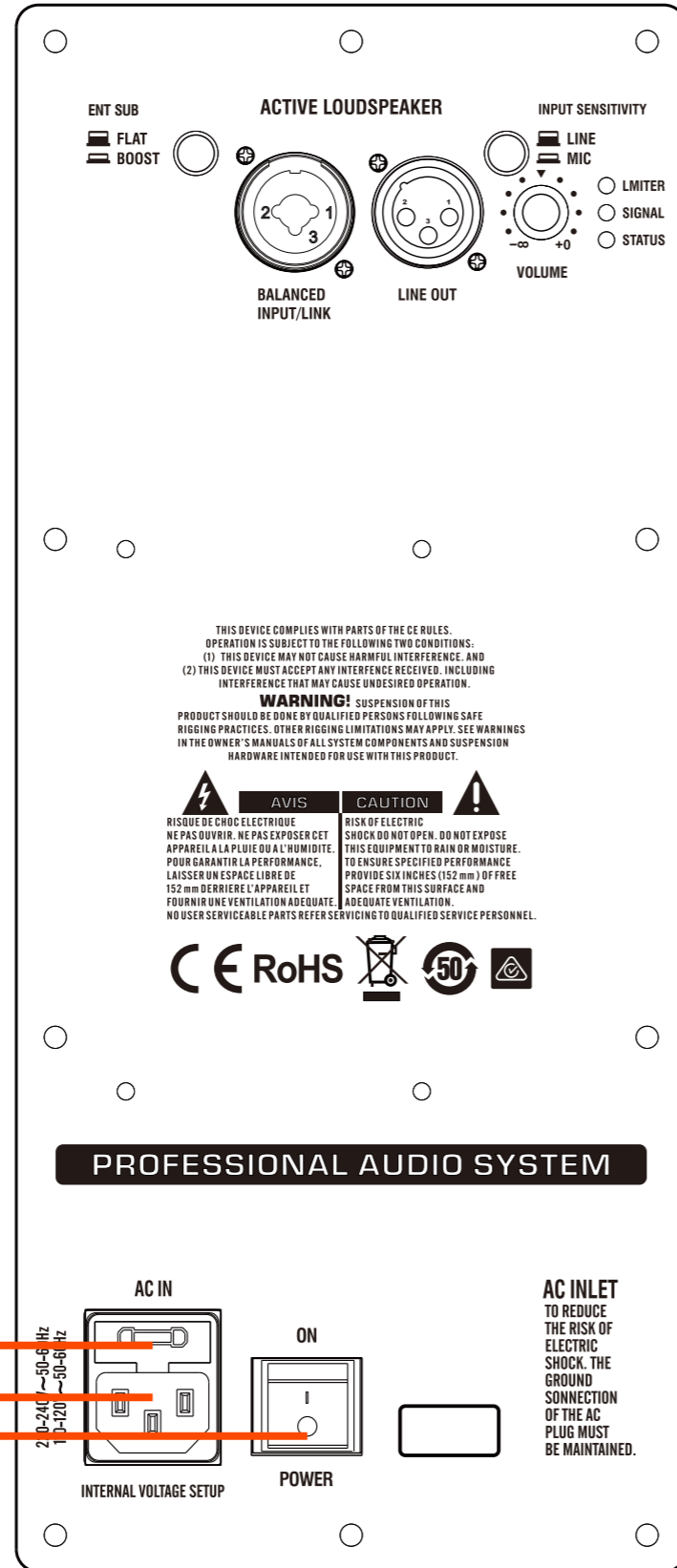


- 1. INPUT SENSITIVITY LINE:** LINE gear, frequency response is linear and unaltered.
- 2. INPUT SENSITIVITY MIC:** MIC gear, Increase all input signal. When used for microphone input, enhance the microphone signal.
- 3. SIGNAL INPUT:** Female balanced XLR and 1/4 inch phone jack combo input connectors.
- 4. SIGNAL OUTPUT:** Male balanced XLR output connector. This connector provides a full-range signal which can be daisy chained to another speaker.
- 5. SIGNAL CONTROL KNOB:** This knob is for setting the input level. The 12 o'clock position is a good starting point for most uses. Once the full-range system has been connected the level can be varied to match and deliver the desired balance.
- 6. STATUS INDICATOR:** When the power amplifier tail board is working normally, this light will be in a constant on state. On the contrary, it indicates that the power amplifier is not functioning properly.
- 7. SIGNAL INDICATOR:** There is one LED that will illuminate when signal is present.
- 8. LIMITER INDICATOR:** There is one LED indicator that will illuminate when input clipping occurs or peak output has been reached and the DSP limiter is acting.
- 9. BOOST GEAR:** After you press the BOOST key, BOOST is selected and internal equalization is applied to enhance low frequency response.
- 10. FLAT GEAR:** FLAT is NORMAL, frequency response is linear and unaltered.

Dimensions

10 INCH POWER AMPLIFIER MODULE

New exterior design

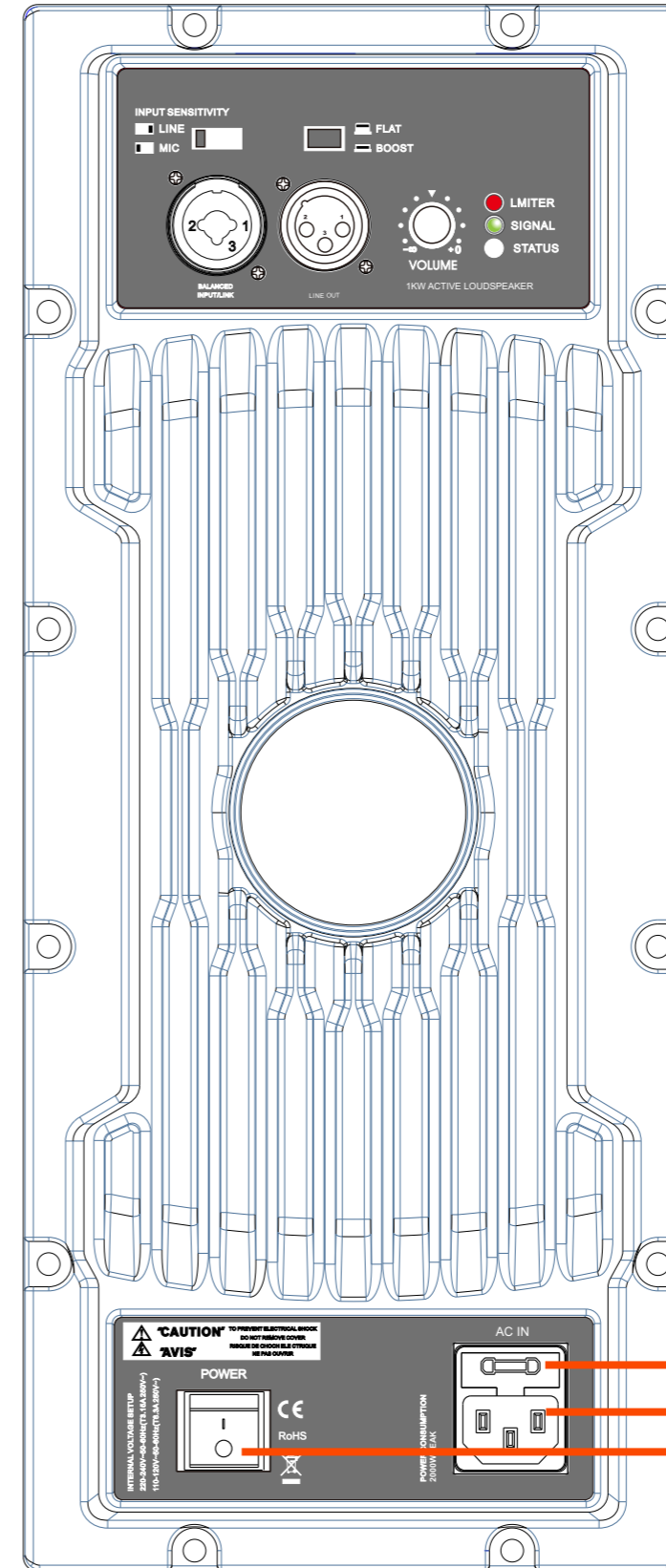


FUSE
POWER CABLE INTERFACE
POWER SWITCH

Dimensions

12/15 INCH POWER AMPLIFIER MODULE

New exterior design



FUSE
POWER CABLE INTERFACE
POWER SWITCH